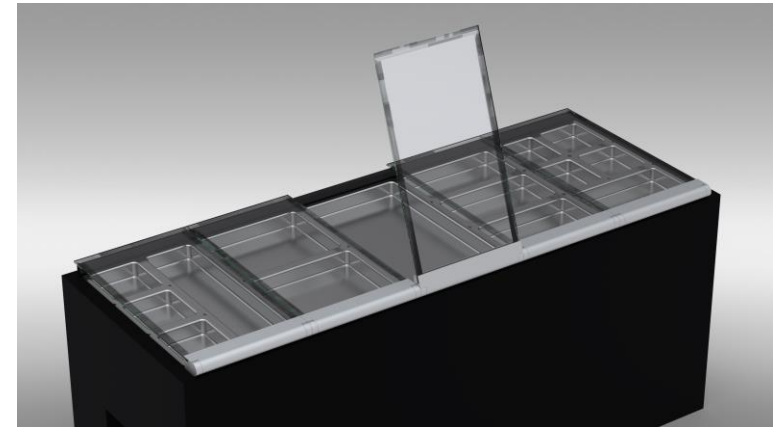
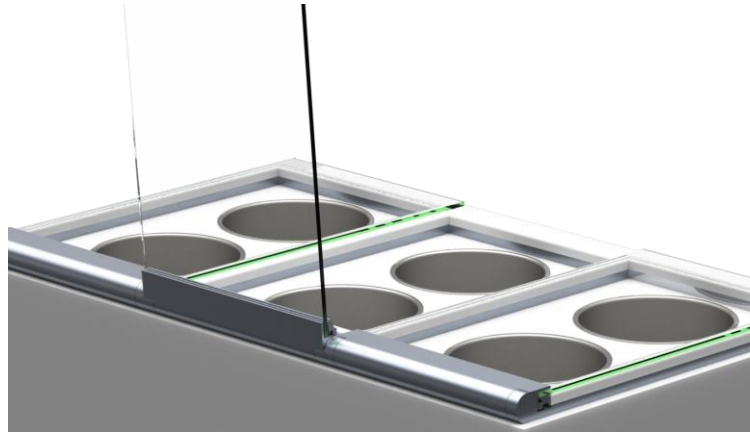

Self-closing lid

Self-closing lid



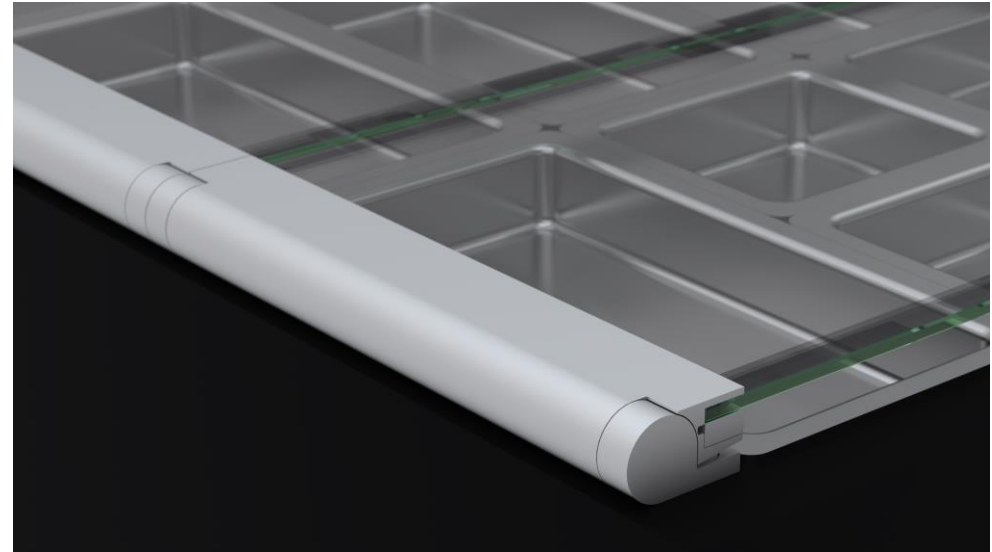
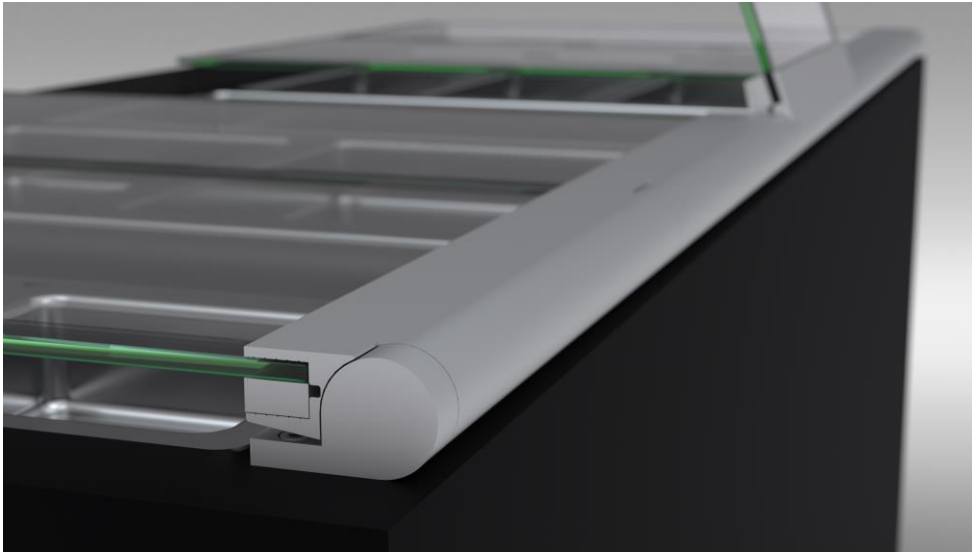
Self-closing lid – applications

- > Salad bar
- > Prep-table
- > Ice cream case



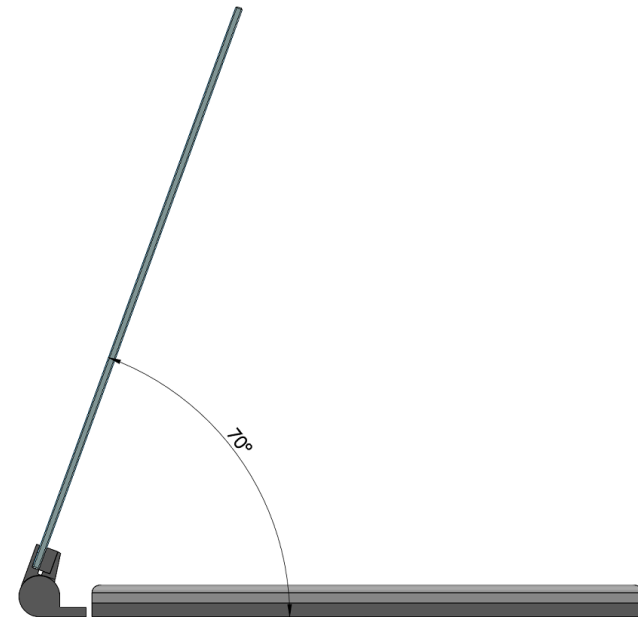
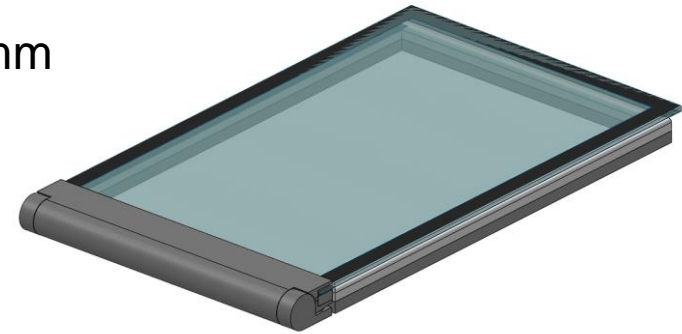
Self-closing lid - details

- > Designed to cover GN bins
- > Slim and transparent visual appearance
- > Extendable



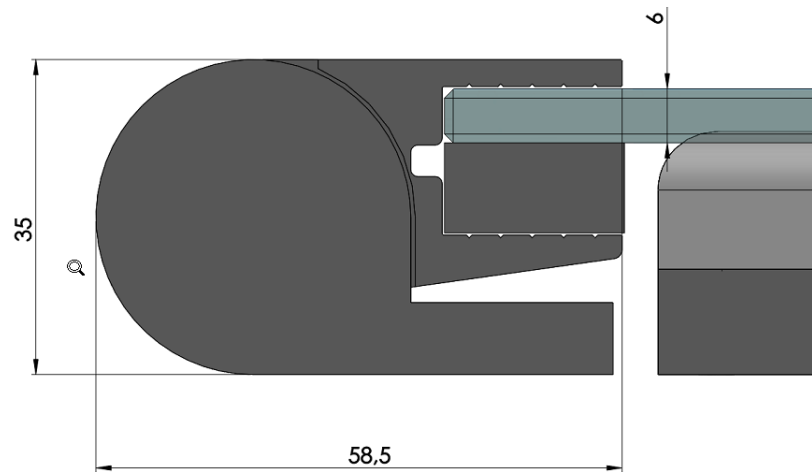
Self-closing lid – characteristics

- > Frameless visual appearance
- > Visible glass dimension 325 mm x 570 mm x 6/16 mm
- > Maximum opening angle 70°
- > Damped closing applies at 65°
- > Soft-closing at 15°
- > Optional sealing frame

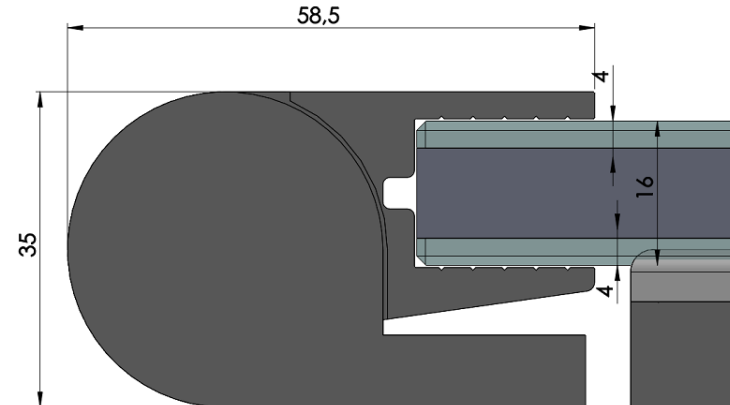


Self-closing lid – two versions

Version 1: single glass, 6 mm



Version 2: double glass, 16 mm



Self-closing lid – video of functionality (front view)



Self-closing lid – video of functionality (front view)



Thank you for your attention!

For more information please click [here](#)