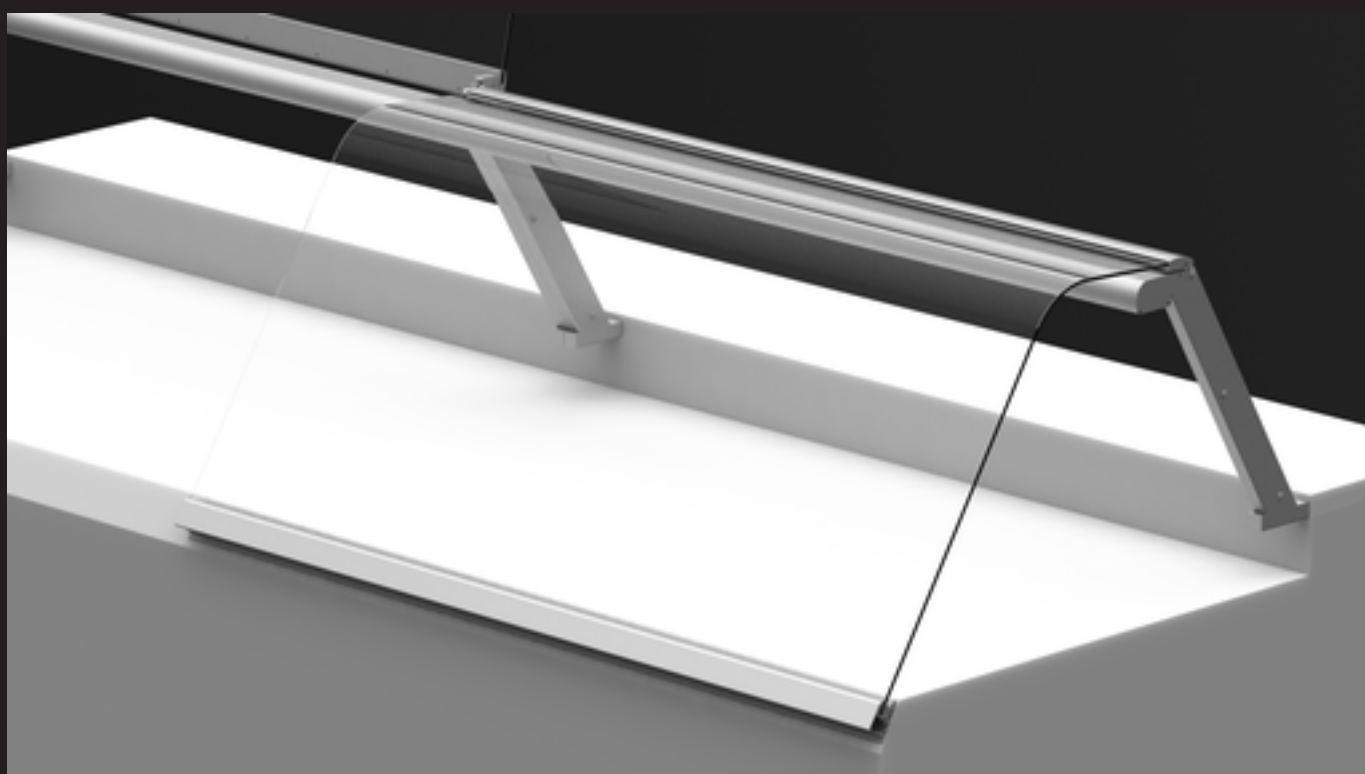
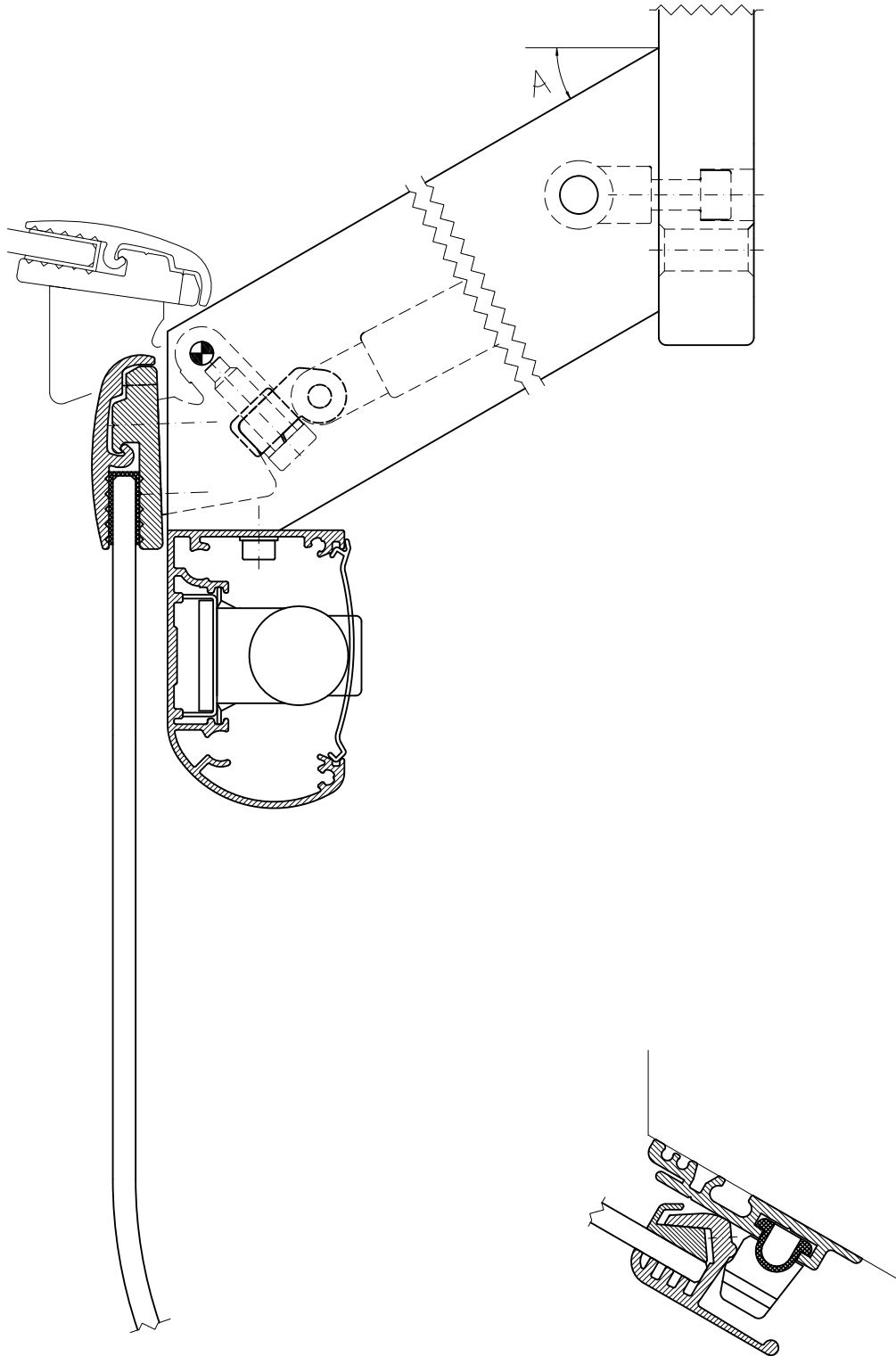


Type 20
Series 20 (Panorama)

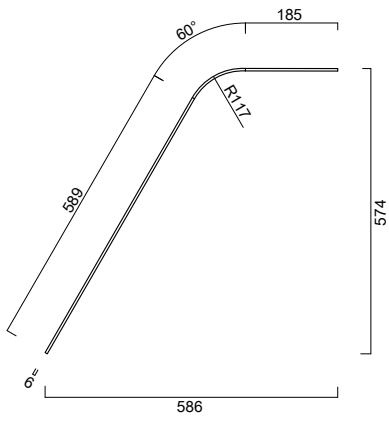


Planning information

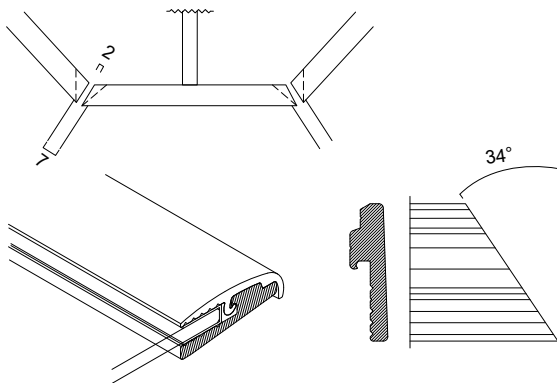
- Panorama-Glass 6 mm tempered



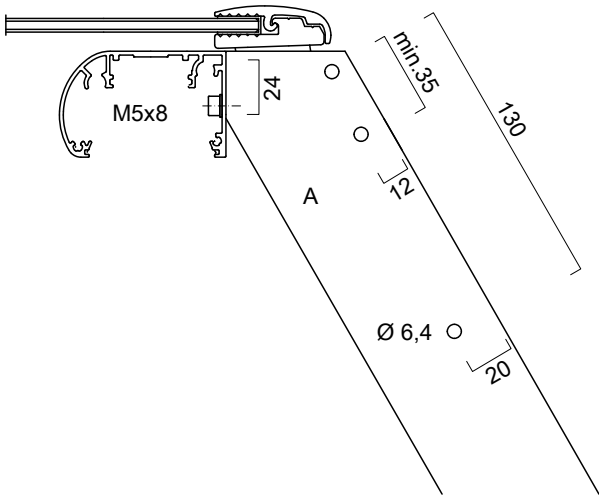
glass dimensions (no warranty for glasses)



cut-out on glass clamp profile base plate, only for external corner 90°/135°



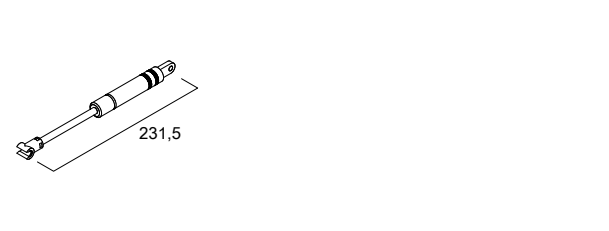
holes for cable and side glass fixing



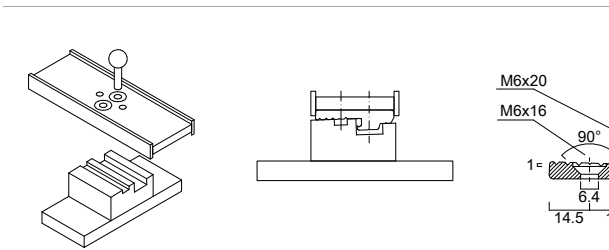
A) cable

Type 20
Picture

Picture	Product		Part number
	<p>Strut end without gas ram</p> <p>Note: minimum height 270 mm</p>	<p>30° 40° 45°</p>	<p>06.442.5430.XXX 06.442.5440.XXX 06.442.6010.XXX</p>
	<p>Strut center without gas ram</p> <p>Note: minimum height 270 mm</p>	<p>30° 40° 45°</p>	<p>06.442.5480.XXX 06.442.5490.XXX 06.442.6030.XXX</p>
	<p>End cap with guide for intermediate support without gas ram</p>	<p>30° 40° 45°</p>	<p>06.442.5530.XXX 06.442.5540.XXX 06.442.6000.XXX</p>
	<p>Center strut with guide for intermediate support without gas ram</p>	<p>40° 30° 45°</p>	<p>06.442.6290.XXX 06.442.6280.XXX 06.442.6300.XXX</p>
	<p>Glass clamp profile complete</p>	<p>5000mm</p>	<p>06.441.4301.XXX</p>
	<p>End cap for glass clamp profile</p>		<p>06.441.3519.XXX</p>
	<p>Hinge for corner glasses Strut slope 45°</p>		<p>06.442.4528.XXX</p>

Picture	Product	Part number
	Gas ram Hydro Lift	100N 06.441.3547.040
	200N	06.441.4744.040
	300N	06.441.4745.040
	400N	06.441.4746.040
	500N	06.441.4747.040
	600N	06.441.4748.040
	700N	06.441.4749.040

	Side-glass fixing	18.441.4592.XXX
--	--------------------------	------------------------

	<p>drill device reduce drill on glass clamp for Fixing on joint part</p>	06.042.0200.000
---	---	------------------------