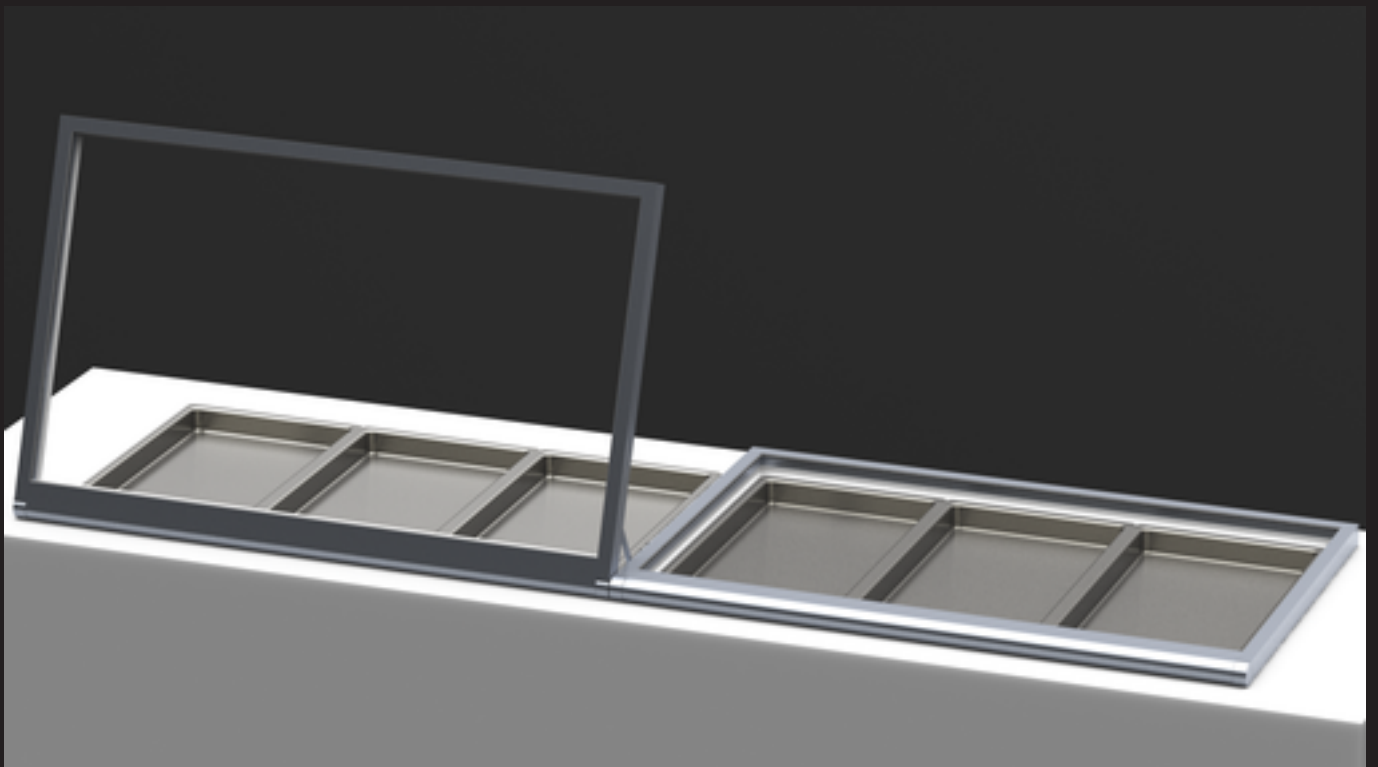
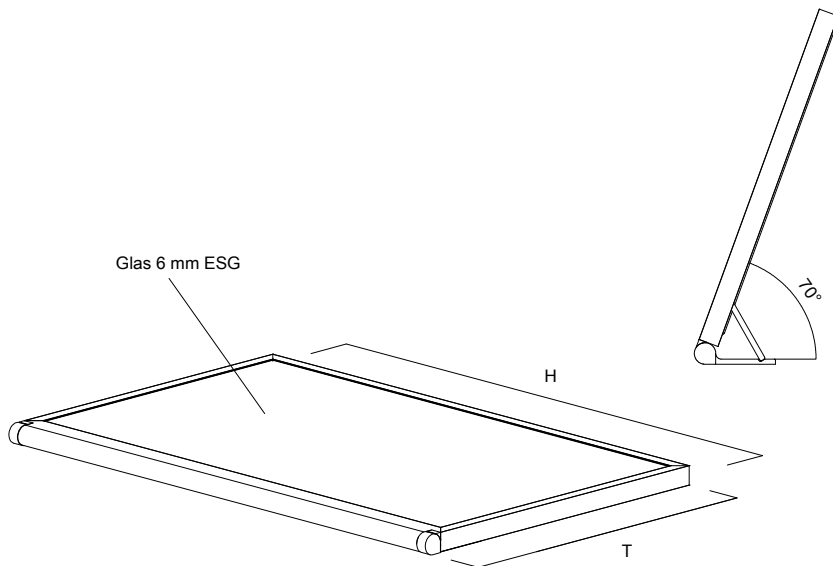


Type 591
Series 500 (Liftcover)



Product characteristics

- free view to the merchandise
- easy opening and damped closing of the glass
- frame completely sealed

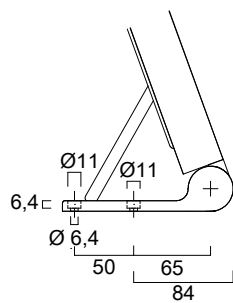
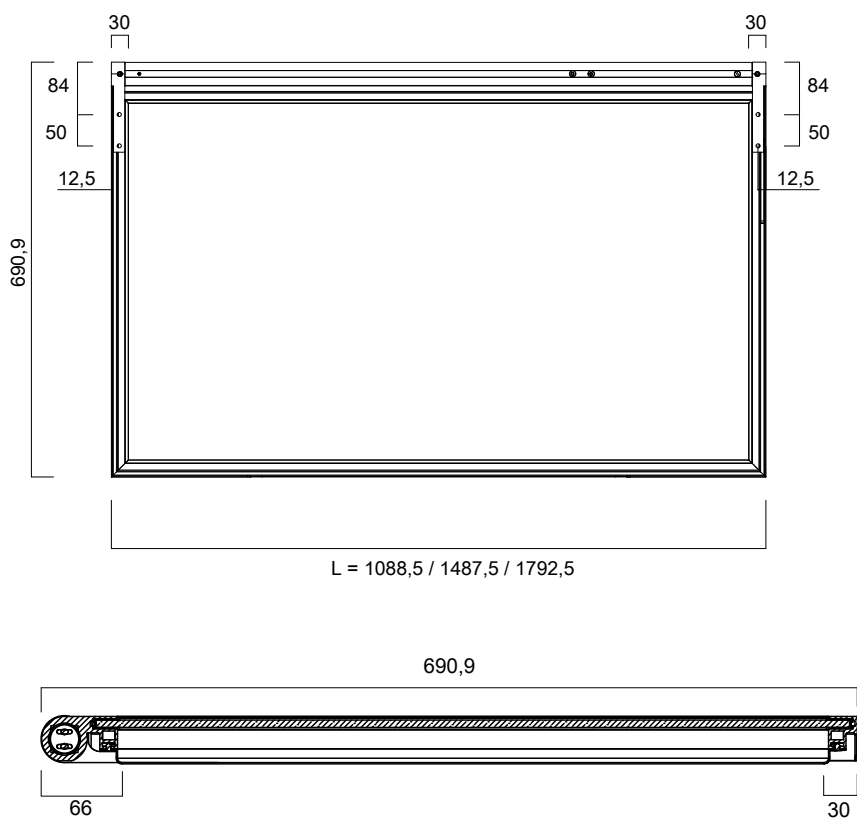


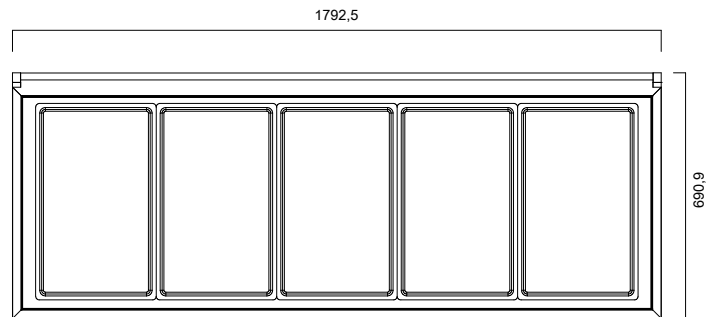
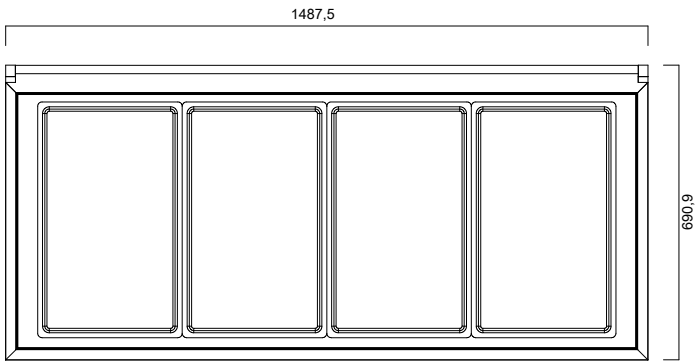
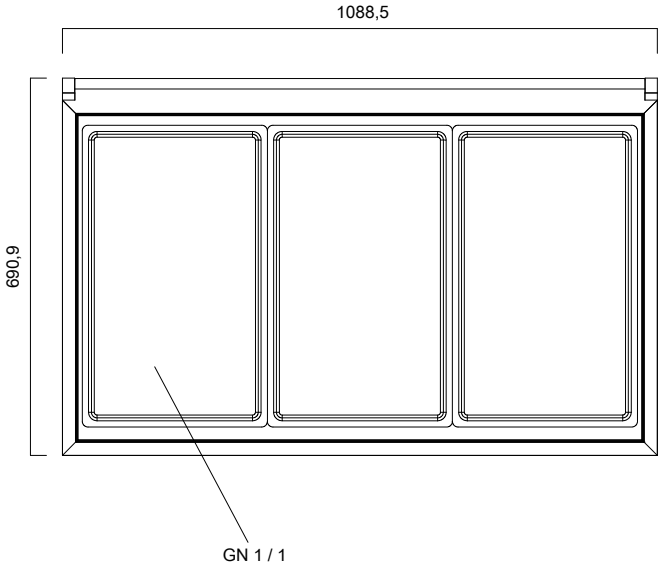
Planning information

- glass 6 mm tempered
- opening angle 70°
- 3 standard dimensions available
- cases can be converted at any time

frames can be delivered in the following measurements:

L x T
 1088,5 x 690,9 mm
 1487,5 x 690,9 mm
 1792,5 x 690,9 mm







Type 591
Picture

Product

Part number

Frame
complete

17.449.XXXX.XXX

